

408



PCT

WORLD INTELLECTUAL PROPERTY ORGANIZATION
International Bureau

INTERNATIONAL APPLICATION PUBLISHED UNDER THE PATENT COOPERATION TREATY (PCT)

<p>(51) International Patent Classification ⁶ : D04H 1/42</p>	<p>A1</p>	<p>(11) International Publication Number: WO 97/02376 (43) International Publication Date: 23 January 1997 (23.01.97)</p>
<p>(21) International Application Number: PCT/US96/10832 (22) International Filing Date: 26 June 1996 (26.06.96) (30) Priority Data: 08/497,629 30 June 1995 (30.06.95) US (71) Applicant: KIMBERLY-CLARK CORPORATION [US/US]; 401 North Lake Street, Neenah, WI 54956 (US). (72) Inventors: POMPLUN, William, Seal; 1873 Brookfield Drive, Neenah, WI 54956 (US). JACKSON, David, Martin; 9825 Summer Oaks, Roswell, GA 30076 (US). (74) Agents: LEACH, Nicholas, N. et al.; Kimberly-Clark Corpora- tion, 401 North Lake Street, Neenah, WI 54956 (US).</p>	<p>(81) Designated States: AL, AM, AT, AU, AZ, BB, BG, BR, BY, CA, CH, CN, CZ, DE, DK, EE, ES, FI, GB, GE, HU, IS, JP, KE, KG, KP, KR, KZ, LK, LR, LS, LT, LU, LV, MD, MG, MK, MN, MW, MX, NO, NZ, PL, PT, RO, RU, SD, SE, SG, SI, SK, TJ, TM, TR, TT, UA, UG, UZ, VN, ARIPO patent (KE, LS, MW, SD, SZ, UG), Eurasian patent (AM, AZ, BY, KG, KZ, MD, RU, TJ, TM), European patent (AT, BE, CH, DE, DK, ES, FI, FR, GB, GR, IE, IT, LU, MC, NL, PT, SE), OAPI patent (BF, BJ, CF, CG, CI, CM, GA, GN, ML, MR, NE, SN, TD, TG).</p> <p>Published <i>With international search report. Before the expiration of the time limit for amending the claims and to be republished in the event of the receipt of amendments.</i></p>	
<p>(54) Title: WATER-DISPERSIBLE FIBROUS NONWOVEN COFORM COMPOSITES</p> <p>(57) Abstract</p> <p>Disclosed herein is a fibrous nonwoven composite structure more commonly referred to as a coform structure. Unlike current coform structures, the material of the present invention is more water-dispersible due to the use of a water-degradable reinforcing fiber matrix.</p> <div data-bbox="836 1197 1453 1522" style="text-align: right;"> <p>35</p> </div>		

FOR THE PURPOSES OF INFORMATION ONLY

Codes used to identify States party to the PCT on the front pages of pamphlets publishing international applications under the PCT.

AM	Armenia	GB	United Kingdom	MW	Malawi
AT	Austria	GE	Georgia	MX	Mexico
AU	Australia	GN	Guinea	NE	Niger
BB	Barbados	GR	Greece	NL	Netherlands
BE	Belgium	HU	Hungary	NO	Norway
BF	Burkina Faso	IE	Ireland	NZ	New Zealand
BG	Bulgaria	IT	Italy	PL	Poland
BJ	Benin	JP	Japan	PT	Portugal
BR	Brazil	KE	Kenya	RO	Romania
BY	Belarus	KG	Kyrgyzstan	RU	Russian Federation
CA	Canada	KP	Democratic People's Republic of Korea	SD	Sudan
CF	Central African Republic	KR	Republic of Korea	SE	Sweden
CG	Congo	KZ	Kazakhstan	SG	Singapore
CH	Switzerland	LI	Liechtenstein	SI	Slovenia
CI	Côte d'Ivoire	LK	Sri Lanka	SK	Slovakia
CM	Cameroon	LR	Liberia	SN	Senegal
CN	China	LT	Lithuania	SZ	Swaziland
CS	Czechoslovakia	LU	Luxembourg	TD	Chad
CZ	Czech Republic	LV	Latvia	TG	Togo
DE	Germany	MC	Monaco	TJ	Tajikistan
DK	Denmark	MD	Republic of Moldova	TT	Trinidad and Tobago
EE	Estonia	MG	Madagascar	UA	Ukraine
ES	Spain	ML	Mali	UG	Uganda
FI	Finland	MN	Mongolia	US	United States of America
FR	France	MR	Mauritania	UZ	Uzbekistan
GA	Gabon			VN	Viet Nam

WATER-DISPERSIBLE FIBROUS NONWOVEN COFORM COMPOSITES

FIELD OF THE INVENTION

5

The present invention relates to water-dispersible fibrous nonwoven composite structures comprising at least two different components wherein the composite is water-dispersible. More particularly, the present invention relates to fibrous nonwoven composite structures referred to as "coform" materials which are water-dispersible.

BACKGROUND OF THE INVENTION

15

Fibrous nonwoven materials and fibrous nonwoven composite materials are widely used as products or as components of products because they can be manufactured inexpensively and can be made to have specific characteristics. One approach has been to mix thermoplastic polymer fibers with one or more types of fibrous material and/or particulates. The mixtures are collected in the form of fibrous nonwoven web composites which may be bonded or treated to provide coherent nonwoven composite materials that take advantage of at least some of the properties of each component. For example, U.S. Patent Number 4,100,324 issued July 11, 1978 to Anderson et al. discloses a nonwoven fabric which is generally a uniform admixture of wood pulp and meltblown thermoplastic polymer fibers. U.S. Patent Number 3,971,373 issued July 7, 1976 to Braun discloses a nonwoven material which contains meltblown thermoplastic polymer fibers and discrete solid particles. According to this patent, the particles are uniformly dispersed and intermixed with the meltblown fibers in the nonwoven material. U.S.

30

Patent Number 4,429,001 issued January 31, 1984 to Kolpin et al. discloses an absorbent sheet material which is a combination of meltblown thermoplastic polymer fibers and solid superabsorbent particles. The superabsorbent particles are disclosed as being uniformly dispersed and physically held within a web of the meltblown thermoplastic polymer fibers. European Patent Number 0080382 to Minto et al. published June 1, 1983 and European Patent Number 0156160 to Minto et al. published October 25, 1985 also disclose combinations of particles such as superabsorbents and meltblown thermoplastic polymer fibers. U.S. Patent Number 5,350,624 to Georger et al. issued September 27, 1994 discloses an abrasion-resistant fibrous nonwoven structure composed of a matrix of meltblown fibers having a first exterior surface, a second exterior surface and an interior portion with at least one other fibrous material integrated into the meltblown fiber matrix. The concentration of meltblown fibers adjacent to each exterior surface of the nonwoven structure is at least about 60 percent by weight and the concentration of meltblown fibers in the interior portion is less than about 40 percent by weight. Many of the aforementioned admixtures are referred to as "coform" materials because they are formed by combining two or more materials in the forming step into a single structure.

Coform engineered composites can be used in a wide variety of applications including absorbent media for aqueous and organic fluids, filtration media for wet and dry applications, insulating materials, protective cushioning materials, containment and delivery systems and wiping media for both wet and dry applications. Many of the foregoing applications can be met, to varying degrees, through the use of more simplified structures such as absorbent structures wherein only wood pulp fibers are used. This has commonly been the case with, for example, the absorbent cores of personal care absorbent products such as diapers. Wood pulp fibers when formed by themselves tend to yield nonwoven web structures which have very little mechanical integrity and a high degree of collapse when wetted. The advent of coform structures which

incorporated thermoplastic meltblown fibers, even in small quantities, greatly enhanced the properties of such structures including both wet and dry tensile strength. The same enhancements were also seen with the advent of coform wiping sheets.

5 Many of the items or products into which coform materials are incorporated are generally regarded as being limited use disposable products. By this it is meant that the product or products are used only a limited number of times and in some cases only once before being discarded. With increasing concerns over waste disposal, there is now an increasing push for materials that are, for example, either recyclable or disposable through other mechanisms besides incorporation into landfills. One possible alternative means of disposal for many products, especially in the area of personal care absorbent products and wipers, is by flushing them into sewage disposal systems.

The very reason why many coform materials provide increased benefits over conventional materials, i.e., the meltblown thermoplastic fiber matrix, is the same reason why such materials are more difficult to recycle or flush. Many wood pulp fiber-based products can be recycled by hydrating and repulping the reclaimed wood pulp fibers. However, in coform structures the thermoplastic meltblown fibers do not readily break-up. The meltblown fibers are hard to separate from the wood pulp fibers, and they remain substantially continuous thereby giving rise to the possibility of clogging or otherwise damaging recycling equipment such as repulpers. From the standpoint of flushability, the current belief is that to be flushable, a product must be made from very small and/or very weak fibers so that the material will readily break-up into smaller pieces when placed in quantities of water such as are found in toilets and, again due to the nature of the fibers, when flushed will not be entrained or trapped within the piping of conventional private and public sewage disposal systems. Many of these systems, especially sewer laterals, may have many protrusions within the pipes such as tree roots which will snag

any type of material which is still relatively intact. Such would be the case with conventional non-water-degradable meltblown thermoplastic fibers in coform materials. As a result, for at least the foregoing reasons, there is a need for
5 a coform material which has the potential for being more user friendly with respect to recycling processes and disposal through alternative means to landfills such as, for example, flushing. Accordingly, it is an object of the present invention to provide such a material.

10

SUMMARY OF THE INVENTION

The present invention is directed to a water-dispersible fibrous nonwoven composite structure which utilizes at least
15 two different components and wherein the composite is water-dispersible. Such structures are more commonly referred to as "coform" materials. The water-dispersible fibrous nonwoven composite structure comprises a matrix of meltspun water-degradable reinforcing fibers and a multiplicity of discrete
20 absorbent fibers which are disposed within the matrix of meltspun water-degradable reinforcing fibers. The absorbent fibers may include, for example, staple fibers having average fiber lengths of approximately 18 millimeters or less as well as wood pulp fibers. In addition, the water-dispersible
25 fibrous nonwoven composite structure may further include a particulate material within the matrix as such as a superabsorbent and/or an odor reducing agent such as, for example, activated charcoal. Examples of meltspun water-degradable reinforcing fibers include, but are not limited to,
30 water-degradable polyamides and poly(vinyl alcohol). In lieu of or in addition to the multiplicity of discrete absorbent fibers, the water-dispersible fibrous nonwoven composite structure may comprise a plurality of particles disposed within and held by the matrix of meltspun water-degradable reinforcing
35 fibers. The materials of the present invention may be used in a wide variety of applications including, for example, personal care absorbent articles such as wipers, diapers, training

pants, pantliners, sanitary napkins, incontinence devices, wound dressings, bandages and the like.

BRIEF DESCRIPTION OF THE DRAWINGS

5

Figure 1 is a schematic side elevation, partially in section, of a possible method and apparatus for producing water-dispersible fibrous nonwoven composite structures according to the present invention.

10

Figure 2 is a perspective view of a fragment of a fibrous nonwoven composite structure produced by the method and apparatus of Figure 1.

15

Figure 3 is a partial schematic side elevation of another possible method and apparatus for producing water-dispersible fibrous nonwoven composite structures according to the present invention.

DETAILED DESCRIPTION OF THE INVENTION

20

The present invention is directed to a fibrous nonwoven composite structure, which has at least two different components which are water-dispersible. As used herein the term "fibrous nonwoven composite structure" refers to a structure of individual fibers or filaments with or without particulates which are interlaid, but not in an identifiable repeating manner. Nonwoven structures such as, for example, fibrous nonwoven webs have been formed in the past, by a variety of processes known to those skilled in the art including, for example; meltblowing and meltspinning processes, spunbonding processes and bonded carded web processes.

25

30

As used herein, the term "water-dispersible" refers to a fibrous nonwoven composite structure which when placed in an aqueous environment will, with sufficient time, break apart into smaller pieces. As a result, the structure once dispersed may be more advantageously processable in recycling processes or flushable in, for example, septic and municipal sewage treatment systems. If desired, such fibrous nonwoven

35

structures may be made more water-dispersible or the dispersion may be hastened by the use of agitation and/or certain triggering means as are further described below. The actual amount of time will depend at least in part upon the particular end-use design criteria. For example, in the sanitary napkin embodiments described below, the fibers break apart in less than a minute. In other applications, longer times may be desirable.

The fibrous nonwoven structure according to the present invention includes a meltspun reinforcing fiber made from a water-degradable polymer and one or more other components which are intermixed with the reinforcing fiber to form a fibrous nonwoven composite structure according to the present invention. By "meltspun" it is meant a fiber which is formed by a fiber-forming process which yields longer, more continuous fibers (generally in excess of 7.5 centimeters) such as are made by the meltblown and spunbond processes. By "water-degradable" it is meant a polymer which when formed into a fiber and placed in sufficient quantities of water for a sufficient period of time will break apart into smaller pieces. In some cases, agitation may be necessary to break the fibers apart. Here again the actual time may vary or be varied to meet a particular end-use requirement. Many of the polymers today can be designed or selected to break apart in the order of minutes or less. The most common form of the fibrous nonwoven composite structure according to the present invention is commonly referred to as a "coform" material which includes longer more continuous melt-spun reinforcing fibers intermixed with shorter absorbent fibers such as staple length fibers and wood pulp fibers or particulates such as superabsorbents. Staple length fibers generally have lengths which extend up to approximately 7.5 centimeters. There are many thermoplastic short cut staple fibers currently available which generally have lengths of less than about 18 millimeters and which can be made from a variety of thermoplastic extrudable polymers including, but not limited to, polyolefins and polyesters as well as homopolymers, copolymers and blends of such polymers.

In addition, several different types and/or sizes of such fibers may be used in the coform structure. Another example of absorbent fibers is pulp fibers. Pulp fibers are generally obtained from natural sources such as woody and non-woody
5 plants. Woody plants include, for example, deciduous and coniferous trees. Non-woody plants include, for example, cotton, flax, esparto grass, milkweed, straw, jute, and bagasse. In addition, synthetic wood pulp fibers are also available and may be used with the present invention. Wood
10 pulp fibers typically have lengths of about 0.5 to 10 millimeters and a length-to-maximum width ratio of about 10/1 to 400/1. A typical cross-section has an irregular width of about 30 micrometers and a thickness of about 5 micrometers. One wood pulp suitable for use with the present invention is
15 Kimberly-Clark CR-54 wood pulp from the Kimberly-Clark Corporation of Neenah, Wisconsin.

The water-degradable reinforcing fibers will typically have lengths in excess of the absorbent fibers including staple and wood pulp fibers. Examples of two such water-degradable
20 reinforcing fibers are meltblown fibers and spunbond fibers. Meltblown fibers are formed by extruding molten thermoplastic material through a plurality of fine, usually circular, die capillaries as molten threads or filaments into a heated high velocity gas stream such as air, which attenuates the filaments
25 of molten thermoplastic material to reduce their diameters. Thereafter, the meltblown fibers are carried by the high velocity gas stream and are deposited on a collecting surface to form a web of randomly dispersed meltblown fibers. The meltblown process is well-known and is described in various
30 patents and publications, including NRL Report 4364, "Manufacture of Super-Fine Organic Fibers" by B. A. Wendt, E. L. Boone and C. D. Fluharty; NRL Report 5265, "An Improved Device For The Formation of Super-Fine Thermoplastic Fibers" by
35 K. D. Lawrence, R. T. Lukas, J. A. Young; U.S. Patent Number 3,676,242, issued July 11, 1972, to Prentice; and U.S. Patent Number 3,849,241, issued November 19, 1974, to Buntin, et al. The foregoing references are incorporated herein by reference

in their entirety. Such meltblown fibers can be made in a wide variety of diameters. Typically, such fibers will have an average diameter of not greater than about 100 micrometers and usually not more than 15 micrometers.

5 Spunbond fibers are formed by extruding a molten thermoplastic material as filaments from a plurality of fine, usually circular, capillaries in a spinneret with the diameter of the extruded filaments then being rapidly reduced, for example, by non-eductive or eductive fluid-drawing or other
10 well-known spunbonding mechanisms. The production of spunbond nonwoven webs is illustrated in patents such as Appel et al., U.S. Patent Number 4,340,563; Matsuki et al., U.S. Patent Number 3,802,817; Dorschner et al., U.S. Patent Number 3,692,618; Kinney, U.S. Patent Numbers 3,338,992 and 3,341,394;
15 Levy, U.S. Patent Number 3,276,944; Peterson, U.S. Patent Number 3,502,538; Hartman, U.S. Patent Number 3,502,763; Dobo et al., U.S. Patent Number 3,542,615; and Harmon, Canadian Patent Number 803,714. All of the foregoing references are incorporated herein by reference in their entirety.

20 In addition to the water-degradable reinforcing fibers and absorbent fibers such as staple fibers and wood pulp fibers, the fibrous nonwoven structure according to the present invention may employ superabsorbent materials. Superabsorbent materials are absorbent materials capable of absorbing at least
25 10 grams of aqueous liquid (e.g. distilled water) per gram of absorbent material while immersed in a liquid for four hours and which will hold substantially all of the absorbed liquid while under a compression force of up to about 10 kilopascals (kPa). Superabsorbent materials are produced in a wide variety
30 of forms including, but not limited to, particles, fibers and flakes. Such superabsorbent materials may be used in the present invention in combination with the water-degradable reinforcing fibers and shorter absorbent fibers or in lieu of the staple fibers.

35 Due to the longer, more continuous nature of the fibers formed by the foregoing meltblown and spunbonding processes, such fibers and resultant nonwoven webs including coform webs

do not readily break apart due to the inherent tenacity of the meltblown and/or spunbond fibers. As a result, coform materials which are predominantly wood pulp fibers but which still contain longer fibers such as polyolefin meltblown fibers are difficult to reclaim in such apparatus as repulpers. In addition, these longer, more continuous fibers also tend to hang up in or on proturbances in sewer laterals thereby making such composite materials difficult to transfer through the sewage treatment system. The fibrous nonwoven composite structures according to the present invention use a water-degradable reinforcing fiber which may be made, for example, by the aforementioned and described meltblowing and spunbonding processes.

Water-degradable polymers are polymers which can be used to form fibers such as by the meltblowing and spunbonding processes. These water-degradable polymers, when formed into fibers and mixed with absorbent materials such as staple length and/or wood pulp fibers and/or particulates such as superabsorbents, can form fibrous nonwoven structures referred to as coform materials. These coform materials can have subsequent end uses which involve exposure of the structures to aqueous liquids including, but not limited to, normal tap water, waste water and body fluids such as blood and urine. Conventional coform fibrous nonwoven structures are used as absorbent products either alone, as in the form of wipers, or as components of other absorptive devices such as personal care absorbent articles including, but not limited to, diapers, training pants, incontinence garments, sanitary napkins, tampons, wound dressings, bandages and the like. It is desirable therefore, that the fibrous nonwoven composite structures of the present invention be able to withstand the rigors of their intended uses, and then, upon completion of the particular uses, the fibrous nonwoven web composite structures must become water-dispersible. To accomplish this, water-degradable polymers employing a number of triggering mechanisms can be used as the polymers to form the water-degradable

reinforcing fibers of the fibrous nonwoven composite structure of the present invention.

Certain polymers are only water-degradable when exposed to sufficient quantities of an aqueous liquid within a certain pH range. Outside this range, they will not degrade. Thus, it is possible to choose a pH-sensitive water-degradable polymer which will not degrade in an aqueous liquid or liquids in one pH range, for example a pH of 3 to 5, but which will become degradable in excess tap water. See for example, U.S. Patent Number 5,102,668 to Eichel et al. which is incorporated herein by reference in its entirety. Thus, when fibrous nonwoven composites are exposed to body fluids such as urine, the water-degradable reinforcing fibers will not degrade. Subsequent to its use, such a fibrous nonwoven composite structure can be placed in excess quantities of higher pH liquids such as tap water which will cause the degradation of the water-degradable polymer making up the reinforcing fibers. As a result, the longer, more continuous reinforcing fibers will begin to break apart either by themselves or with sufficient agitation so that the discrete fibrous components, such as wood pulp fibers, can be reclaimed, recycled or disposed of by flushing. Examples of polymers which could be used to form this type of fiber could include acrylate ester/acrylic or methacrylic acid copolymers and blends such as those designated as N-10, H-10 or X-10 as supplied by Findley Adhesives, Incorporated of Milwaukee, Wisconsin. These materials are stable at body pH conditions (or when buffered against body fluids), but will break-up rapidly in toilet water during the flushing process (excess water).

Another mechanism which can be used to trigger water-degradability is ion sensitivity. Certain polymers contain acid-based ($R-COO^-$ or $R-SO_3^-$) components which are held together by hydrogen bonding. In a dry state, these polymers remain solid. In an aqueous solution which has a relatively high cation concentration, such as urine, the polymers still will remain relatively intact. However, when the same polymers are later exposed to larger quantities of water with diluted ion

content, such as can be found in a toilet bowl, the cation concentration will be diluted and the hydrogen bonding will begin to break apart. As this happens the polymers, themselves, will begin to break apart in the water. See for
5 example, U.S. Patent Number 4,419,403 to Varona which is incorporated herein by reference in its entirety. Polymers that are stable in solutions with high cation concentrations (for example, baby or adult urine and menses) could be sulfonated polyesters such as are supplied by the Eastman
10 Chemical Company of Kingsport, Tennessee under the codes AQ29, AQ38, or AQ55. The Eastman AQ38 polymer is composed of 89 mole percent isophthalic acid, 11 mole percent sodium sulfoisophthalic acid, 78 mole percent diethylene glycol and 22 mole percent 1,4-cyclohexanedimethanol. It has a nominal
15 molecular weight of 14,000 Daltons, an acid number less than 2, a hydroxyl number less than 10 and a glass transition temperature of 38°C. Other examples could be blends of copolymers of poly(vinyl alcohol) blended with polyacrylic or methylacrylic acid or polyvinylmethyl ether blended with
20 polyacrylic or methylacrylic acid. The Eastman polymers are stable in solutions with high cation concentrations, but will break-up rapidly if placed in sufficient excess water such as tap water to dilute the cation concentration.

Yet another means for rendering a polymer degradable in
25 water is through the use of temperature change. Certain polymers exhibit a cloud point temperature. As a result, these polymers will precipitate out of a solution at a particular temperature which is the cloud point. These polymers can be used to form fibers which are insoluble in water above a
30 certain temperature but which become soluble and thus degradable in water at a lower temperature. As a result, it is possible to select or blend a polymer which will not degrade in body fluids, such as urine, at or near body temperature (37°C) but which will degrade when placed in water at temperatures
35 below body temperature, for example at room temperature (23°C). An example of such a polymer is polyvinylmethylether which has a cloud point of 34°C. When this polymer is exposed to body

fluids such as urine at 37°C, it will not degrade as this temperature is above its cloud point (34°C). However, if the polymer is placed in water at room temperature (23°C), the polymer will, with time, go back into solution as it is now
5 exposed to water at a temperature below its cloud point. Consequently, the polymer will begin to degrade.

Blends of polyvinylmethylether and copolymers may be considered as well. Other cold water soluble polymers include poly(vinyl alcohol) graft copolymers supplied by the Nippon
10 Synthetic Chemical Company, Ltd. of Osaka, Japan which are coded Ecomaty AX2000, AX10000 and AX300G.

Other polymers are water-degradable only when exposed to sufficient quantities of water. Thus, these types of polymers may be suitable for use in low water volume solution
15 environments such as, for example, pantliners, light incontinence products and baby or adult wipes. Examples of such materials could include NP2068, NP2074 or NP2120 aliphatic polyamides as supplied by the H. B. Fuller Company of Vadnais Heights, Minnesota.

Having described the various components which can be used to form a water-dispersible fibrous nonwoven composite structure according to the present invention, examples of several processes which could be used to form such materials will be described. One process for forming water-dispersible
20 fibrous nonwoven web structures according to the present invention is shown in Figure 1 of the drawings. In this drawing, a water-degradable polymer is extruded through a die head 10 into a primary gas stream 11 of high velocity, heated gas (usually air) supplied from nozzles 12 and 13 to attenuate
25 the molten polymer into long, somewhat continuous fibers. As these water-degradable reinforcing fibers are being formed, the primary gas stream 11 is merged with a secondary gas stream 14 containing individualized wood pulp fibers or other materials including particulates so as to integrate the two different
30 fibrous materials into a single fibrous nonwoven composite structure. The apparatus for forming and delivering the secondary gas stream 14 including the wood pulp fibers can be

an apparatus of the type described and claimed in U.S. Patent Number 3,793,678 to Appel. This apparatus comprises a conventional picker roll 20 having picking teeth for divellicating pulp sheets 21 into individual fibers. The pulp sheets 21 are fed radially, i.e. along a picker roll radius, to the picker roll 20 by means of rolls 22. As the teeth on the picker roll 20 divellicate the pulp sheets 21 into individual fibers, the resulting separate fibers are conveyed downwardly toward the primary air stream through a forming nozzle or duct 23. A housing 24 encloses the picker roll 20 and provides a passage 25 between the housing 24 and the picker roll surface. Process air is supplied to the picker roll in the passage 25 via duct 26 in sufficient quantity to serve as a medium for conveying the fibers through the forming duct 23 at a velocity approaching that of the picker teeth. The air may be supplied by a conventional means as, for example, a blower.

As illustrated in Figure 1, the primary and secondary gas streams 11 and 14 are preferably moving perpendicularly to each other at the point of merger, although other merging angles may be employed if desired to vary the degree of mixing and/or to form concentration gradients through the structure. The velocity of the secondary stream 14 is substantially lower than that of the primary stream 11 so that the integrated stream 15 resulting from the merger continues to flow in the same direction as the primary stream 11. The merger of the two streams is somewhat like an aspirating effect whereby the fibers in the secondary stream 14 are drawn into the primary stream 11 as it passes the outlet of the duct 23. If a uniform structure is desired, it is important that the velocity difference between the two gas streams be such that the secondary stream is integrated with the primary stream in a turbulent manner so that the fibers in the secondary stream become thoroughly mixed with the meltblown fibers in the primary stream. In general, increasing velocity differences between the primary and secondary streams produce more homogenous integration of the two materials while lower velocities and smaller velocity differences will produce

concentration gradients of components in the fibrous nonwoven composite structure. For maximum production rates, it is generally desirable that the primary air stream have an initial sonic velocity within the nozzles 12 and 13 and that the secondary air stream have a subsonic velocity. As the primary air stream exits the nozzles 12 and 13, it immediately expands with a resulting decrease in velocity.

Deceleration of the high velocity gas stream carrying the meltblown water-degradable meltblown fibers frees the fibers from the drawing forces which initially form them from the water-degradable polymer mass. As the water-degradable reinforcing fibers relax, they are better able to follow the minute eddies and to entangle and capture the relatively short wood pulp or other absorbent fibers while both fibers are dispersed and suspended in the gaseous medium. The resultant combination is an intimate mixture of wood pulp fibers and water-degradable reinforcing fibers integrated by physical entrapment and mechanical entanglement.

Attenuation of the water-degradable reinforcing fibers occurs both before and after the entanglement of these fibers with the pulp fibers. In order to convert the fiber blend in the integrated stream 15 into a fibrous nonwoven structure, the stream 15 is passed into the nip of a pair of vacuum rolls 30 and 31 having foraminous surfaces that rotate continuously over a pair of fixed vacuum nozzles 32 and 33. As the integrated stream 15 enters the nip of the rolls 31 and 33, the carrying gas is sucked into the two vacuum nozzles 32 and 33 while the fiber blend is supported and slightly compressed by the opposed surfaces of the two rolls 30 and 31. This forms an integrated, self-supporting fibrous nonwoven composite structure 34 that has sufficient integrity to permit it to be withdrawn from the vacuum roll nip and conveyed to a wind-up roll 35.

The containment of the wood pulp fibers in the integrated reinforcing fiber matrix is obtained without any further processing or treatment of the air laid composite structure. However, if it is desired to improve the strength of the fibrous nonwoven composite structure 34, as, for example, for

use as a wiper, the composite web or structure 34 may be embossed or bonded using heat and/or pressure. The embossing may be accomplished using, for example, ultrasonic bonding and/or mechanical bonding as through the use of smooth and/or patterned bonding rolls which may or may not be heated. Such bonding techniques are well-known to those skilled in the art. In Figure 1 the composite structure 34 is passed through an ultrasonic bonding station comprising an ultrasonic calendering head 40 vibrating against a patterned anvil roll 41. The bonding conditions (e.g. pressure, speed, power input) as well as the bonding pattern may be appropriately selected to provide the desired characteristics in the final product. See Figure 2.

The relative weight percentages of the water-degradable reinforcing fibers and absorbent fibers may be varied according to the particular end use. Generally speaking, increasing the weight percent of the water-degradable reinforcing fibers will increase the overall tensile strength and integrity of the resultant fibrous composite nonwoven structure.

Another formation process which might be used for forming water-dispersible fibrous nonwoven composites according to the present invention is shown in Figure 3 of the drawings. In Figure 3 there is shown an exemplary apparatus for forming an abrasion-resistant fibrous nonwoven composite structure which is generally represented by reference numeral 110. In forming the abrasion-resistant fibrous nonwoven composite structure of the present invention, pellets or chips, etc. (not shown) of a thermoplastic polymer are introduced into a pellet hoppers 112 of one or more extruders 114.

The extruders 114 have extrusion screws (not shown) which are driven by a conventional drive motor (not shown). As the polymer advances through the extruders 114, due to rotation of the extrusion screw by the drive motor, the polymer is progressively heated to a molten state. Heating the thermoplastic polymer to the molten state may be accomplished in a plurality of discrete steps with its temperature being gradually elevated as it advances through discrete heating

zones of the extruder 114 toward two meltblowing dies 116 and 118, respectively. The meltblowing dies 116 and 118 may be yet another heating zone wherein the temperature of the thermoplastic resin is maintained at an elevated level for
5 extrusion.

Each meltblowing die is configured so that two streams of usually heated attenuating gas per die converge to form a single stream of gas which entrains and attenuates the molten threads of water-degradable polymer, as the threads exit small
10 holes or orifices 124 in the meltblowing die. The molten threads are attenuated into fibers 120, or depending upon the degree of attenuation, microfibers, of a small diameter which is usually less than the diameter of the orifices 124. Thus, each meltblowing die 116 and 118 has a corresponding single
15 stream of gas 126 and 128 containing entrained and attenuated polymer fibers. The gas streams 126 and 128 containing polymer fibers are aligned to converge at an impingement zone 130.

One or more types of secondary fibers 132 and/or particulates are added to the two streams 126 and 128 of water-degradable thermoplastic polymer fibers or microfibers 120 at
20 the impingement zone 130. Introduction of the secondary fibers 132 into the two streams 126 and 128 of the water-degradable thermoplastic polymer fibers 120 is designed to produce a graduated distribution of secondary fibers 132 within the
25 combined streams 126 and 128 of thermoplastic polymer fibers. This may be accomplished by merging a secondary gas stream 134 containing the secondary fibers 132 between the two streams 126 and 128 of water-degradable thermoplastic polymer fibers 120 so that all three gas streams converge in a controlled manner.

30 Apparatus for accomplishing this merger may include a conventional picker roll 136 arrangement which has a plurality of teeth 138 that are adapted to separate a mat or batt 140 of secondary fibers into the individual secondary fibers 132. The mat or batt of secondary fibers 140 which is fed to the picker
35 roll 136 may be a sheet of pulp fibers (if a two-component mixture of water-degradable thermoplastic polymer fibers and secondary pulp fibers is desired), a mat of staple fibers (if

a two-component mixture of water-degradable thermoplastic polymer fibers and a secondary staple fibers is desired) or both a sheet of pulp fibers and a mat of staple fibers (if a three-component mixture of water-degradable thermoplastic polymer fibers, secondary staple fibers and secondary pulp fibers is desired). In embodiments where, for example, an absorbent material is desired, the secondary fibers 132 are absorbent fibers. The secondary fibers 132 may generally be selected from the group including one or more polyester fibers, polyamide fibers, cellulosic derived fibers such as, for example, rayon fibers, wood pulp fibers and superabsorbent fibers, multi-component fibers such as, for example, sheath-core multi-component fibers, natural fibers such as silk fibers, wool fibers or cotton fibers or electrically conductive fibers or blends of two or more of such secondary fibers. Other types of secondary fibers 132 such as, for example, polyethylene fibers and polypropylene fibers, as well as blends of two or more of other types of secondary fibers 132 may be utilized. The secondary fibers 132 may be microfibers or the secondary fibers 132 may be macrofibers having an average diameter of from about 300 micrometers to about 1,000 micrometers.

The sheets or mats 140 of secondary fibers 132 are fed to the picker roll 136 by a roller arrangement 142. After the teeth 136 of the picker roll 136 have separated the mat of secondary fibers 140 into separate secondary fibers 132 the individual secondary fibers 132 are conveyed toward the stream of thermoplastic polymer fibers or microfibers 120 through a nozzle 144. A housing 146 encloses the picker roll 136 and provides a passageway or gap 148 between the housing 146 and the surface of the teeth 138 of the picker roll 136. A gas such as air is supplied to the passageway or gap 148 between the surface of the picker roll 136 and the housing 146 by way of a gas duct 150. The gas duct 150 may enter the passageway or gap 148 generally at the junction 152 of the nozzle 144 and the gap 148. The gas is supplied in sufficient quantity to serve as a medium for conveying the secondary fibers 132

through the nozzle 144. The gas supplied from the duct 150 also serves as an aid in removing the secondary fibers 132 from the teeth 138 of the picker roll 136. The gas may be supplied by any conventional arrangement such as, for example, an air blower (not shown). It is contemplated that additives and/or other materials may be added to or entrained in the gas stream to treat the secondary fibers 132 or to provide desired properties in the resultant web.

Generally speaking, the individual secondary fibers 132 are conveyed through the nozzle 144 at about the velocity at which the secondary fibers 132 leave the teeth 138 of the picker roll 136. In other words, the secondary fibers 132, upon leaving the teeth 138 of the picker roll 136 and entering the nozzle 144 generally maintain their velocity in both magnitude and direction from the point where they left the teeth 138 of the picker roll 136. Such an arrangement, which is discussed in more detail in U.S. Patent No. 4,100,324 to Anderson, et al. aids in substantially reducing fiber floccing.

The width of the nozzle 144 should be aligned in a direction generally parallel to the width of the meltblowing dies 116 and 118. Desirably, the width of the nozzle 144 should be about the same as the width of the meltblowing dies 116 and 118. Usually, the width of the nozzle 144 should not exceed the width of the sheets or mats 140 that are being fed to the picker roll 136. Generally speaking, it is desirable for the length of the nozzle 144 separating the picker from the impingement zone 130 to be as short as equipment design will allow.

The picker roll 136 may be replaced by a conventional particulate injection system to form a fibrous nonwoven composite structure 154 containing various secondary particulates. A combination of both secondary particulates and secondary fibers could be added to the water-degradable thermoplastic polymer fibers 120 prior to formation of the fibrous nonwoven composite structure 154 if a conventional particulate injection system was added to the system illustrated in Figure 3. The particulates may be, for

example, charcoal, clay, starches, and/or hydrocolloid (hydrogel) particulates commonly referred to as super-absorbents.

5 Due to the fact that the water-degradable thermoplastic polymer fibers in the fiber streams 126 and 128 are usually still semi-molten and tacky at the time of incorporation of the secondary fibers 132 into the fiber streams 126 and 128, the secondary fibers 132 are usually not only mechanically entangled within the matrix formed by the water-degradable
10 fibers 120 but are also thermally bonded or joined to the water-degradable fibers.

In order to convert the composite stream 156 of water-degradable fibers 120 and secondary fibers 132 into a fibrous nonwoven composite structure 154 composed of a coherent
15 matrix of the water-degradable fibers 120 having the secondary fibers 132 distributed therein, a collecting device is located in the path of the composite stream 156. The collecting device may be an endless belt 158 conventionally driven by rollers 160 and which is rotating as indicated by the arrow 162 in Figure
20 3. Other collecting devices are well known to those of skill in the art and may be utilized in place of the endless belt 158. For example, a porous rotating drum arrangement could be utilized. The merged streams of water-degradable fibers and secondary fibers are collected as a coherent matrix of fibers
25 on the surface of the endless belt 158 to form the fibrous nonwoven composite structure or web 154. Vacuum boxes 164 assist in retention of the matrix on the surface of the belt 158. The vacuum may be set at about 2.5 to about 10 centimeters of water column.

30 The fibrous nonwoven composite structure 154 is coherent and may be removed from the belt 158 as a self-supporting nonwoven material. Generally speaking, the fibrous nonwoven composite structure 154 has adequate strength and integrity to be used without any post-treatments such as pattern bonding and
35 the like. If desired, a pair of pinch rollers or pattern bonding rollers (not shown) may be used to bond portions of the material. Although such treatment may improve the integrity of

the fibrous nonwoven composite structure 154 it also tends to compress and densify the structure.

Besides the foregoing processes, there are a number of other processes which are suitable for making various types of coform materials. For example, McFarland et al., U.S. Patent Number 4,604,313 issued August 5, 1986 is directed to a process for forming a multi-layered coform material including meltblown fibers and wood pulp fibers in one layer and a second layer which contains meltblown fibers, wood pulp fibers and superabsorbent particles. Another process is disclosed in Eschwey et al., U.S. Patent 4,902,559 issued February 20, 1990. This patent discloses a process wherein endless filaments are spun through a long spinneret into a passage to form what are more commonly referred to as spunbond fibers. At the same time, smaller hydrophilic or oleophilic fibers are fed into the stream of spunbond fibers. Optionally, superabsorbent particles may also be introduced into the foregoing fiber mixture. Both the McFarland et al. and Eschwey et al. patents are incorporated herein by reference in their entirety.

Having described various components and processes which can be used to form water-dispersible fibrous nonwoven composite structures according to the present invention, a series of Examples were prepared to demonstrate the present invention.

25

EXAMPLES

Example I

In Example I water-dispersible fibrous nonwoven composite structures were made using a water soluble poly(vinyl alcohol) copolymer meltblown and fluff wood pulp in 20/80, 30/70, and 40/60 weight percent ratios (meltblown/pulp) based upon the total weight of the fibrous nonwoven composite structure. The polyvinyl alcohol copolymer had code name Ecomaty AX10000 and was manufactured by Nippon-Gohsei of Osaka, Japan. The meltflow rate of this AX10000 copolymer was 100 grams per 10

minutes at a temperature of 190°C under 2.16 kilograms load using ASTM Test Method D-1238. The softening temperature of the AX10000 copolymer was 180°C but it processed better at 210°C to make meltblown microfibers. The fluff wood pulp had code number NF405 as received from Weyerhaeuser Corporation of Federal Way, Washington. The absorbent structure was produced utilizing a twin extruder and a pulp fiberizer system such as shown in Figure 3. The coformed composites were formed on either a porous tissue carrier sheet or a spunbonded polypropylene nonwoven web carrier sheet. Optionally, the coform composites can be formed directly onto a forming wire. Basis weights of the coformed absorbent structures were 190 grams per square meter (gsm). The absorbent structures were then pattern bonded in a separate process using a heated calender nip with a total bond area of approximately 20 percent. When the coformed absorbent was placed in room temperature water and agitated, the meltblown fibers dissolved and the web broke apart in less than one minute and typically in less than 30 seconds. The 20/80 web was placed in a consumer study with adult women in a pantiliner intermenstrual test and the coformed absorbent was found to be capable of sustaining small fluid loads from urine and menses for periods up to six hours.

25 Example II

In Example II a water-dispersible fibrous nonwoven structure was made using a water soluble polyamide polymer meltblown and wood pulp fluff in a 30/70 meltblown/fluff weight ratio. The polyamide polymer had code number NP 2068 as received from H.B. Fuller Company of St. Paul, Minnesota. The viscosity of the NP 2068 polymer was 95 Pascal-seconds at a temperature of 204°C. The softening temperature range of the NP 2068 polymer was 128°-145°C but it processed best at 210°C to make meltblown microfibers. The fluff wood pulp had code number NF405 as received from the Weyerhaeuser Corporation of Federal Way, Washington. The absorbent structure was produced

in the same fashion as Example I. The coformed composite was formed on a porous tissue carrier sheet. The basis weight of the coformed absorbent structure was 190 grams per square meter. When the coformed absorbent was placed in room
5 temperature water and agitated, the meltblown fibers dissolved and the web broke apart in less than one minute and typically less than 30 seconds.

Example III

In Example III, a water-dispersible fibrous nonwoven composite structure was made using a water soluble polyamide polymer meltblown and wood pulp fluff in a 30/70 meltblown/fluff weight ratio. The polyamide polymer had code number NP 2074 as received from H.B. Fuller Company of St. Paul, Minnesota. The viscosity of the NP 2074 polymer was 290 Pascal-seconds at a temperature of 204°C. The softening temperature range of the NP 2074 polymer was 133°-145°C but it processed best at 210°C to make meltblown microfibers. The fluff wood pulp had code number NF405 as received from the Weyerhaeuser Corporation of Federal Way, Washington. The absorbent structure was produced in the same fashion as Example I. The coformed composite was formed on a porous tissue carrier sheet and the basis weight of the coformed absorbent structure was 190 grams per square meter. When the coformed absorbent was placed in room temperature water and agitated, the meltblown fibers dissolved and broke apart in less than one minute and typically less than 30 seconds.

To further demonstrate the present invention, experimental pant liners were made using the water-degradable coform materials outlined above in Examples I through III and were compared to a conventional coform containing pant liner. The conventional pant liner construction included a polyethylene baffle film, a 13 gram per square meter thermally embossed polypropylene spunbond liner and a 190 gram per square meter coform material as the absorbent core. The coform material comprised 30% by weight polypropylene meltblown fibers having an average fiber diameter of approximately 5 micrometers and 70% by weight based upon the weight of the absorbent core wood pulp fibers. The polypropylene meltblown and wood pulp fibers were intimately mixed with one another to form the absorbent core. To assemble the pant liner structure, a water-based adhesive was used to laminate the polyethylene film to one side of the coform material and the polypropylene spunbond liner was thermally embossed to the other side of the coform material.

To the exterior surface of the polyethylene film baffle there was applied a garment adhesive strip for attachment of the product to the undergarment of the wearer. This laminate formed the control as it did not contain any water-degradable reinforcing fibers but, instead, utilized the polypropylene meltblown fibers as the reinforcing means. A further description of such products can be found in U.S. Patent No. 3,881,490 to Whitehead et al. and U.S. Patent No. Des. 247,368 to Whitehead, both of which are incorporated herein by reference in their entirety.

The materials of the present invention from Examples I through III, were also formed into pantliners of the same general description as given above. In place of the 190 gsm polypropylene coform material in the control, 190 gsm 30% water-degradable reinforcing fiber/70% by weight wood pulp fiber coform composites according to Examples I, II and III were used. In addition, the polyethylene baffle was replaced with a water-degradable film and the baffle film was attached to the coform absorbent core by way of a hot melt adhesive instead of a water-based adhesive.

Twenty samples each of all four of the pantliners including the control were subjected to a toilet flushing test. In the test, individual samples were placed at random in a 3.5 gallon toilet and were allowed to dwell in the toilet for 30 seconds before flushing. The control which contained standard coform material only flushed in six out of the twenty samples thereby indicating that only 30% of these pantliners would flush in a 3.5 gallon toilet. In contrast, with the three types of pantliners using the water-dispersible materials of the present invention, all twenty samples for each material flushed. As a result, these materials were 100% flushable. A visual observation that was made while conducting this test was that the pantliners according to the present invention absorbed water almost immediately and therefore sank directly to the bottom of the toilet bowl. In contrast, the control pantliners which contained polypropylene fibers (which have a density less than 1 gram per cubic centimeter and a

polyethylene baffle film with a density less than 1 gram per cubic centimeter) floated on the surface of the water in the toilet bowl. Consequently, the hydraulic driving force acting on the control product was much less than that acting on the experimental products. This demonstrated the lack of flushability of the control product because it could not realize the driving force of the priming jet in the toilet.

In addition, five samples each of the control and the pant liners containing the materials of the present invention were separately introduced into a moving water system having a velocity of approximately 0.6 meters per second. In less than one minute, the absorbent core material of the present invention completely broke apart to the point that it was unrecognizable. In contrast, the absorbent core of the control remained substantially intact even after 30 minutes exposure time. Thus it can be seen the water-dispersible fibrous nonwoven composite structures of the present invention may be able to provide a wide variety of applications where products are required that will readily disperse in water after their intended use cycle.

Having thus described the invention in detail, it should be apparent that various modifications and changes can be made to the present invention without the departing from the spirit and scope of the following claims.

25

CLAIMS

1. A water-dispersible fibrous nonwoven composite structure comprising:

5 a matrix of meltspun water-degradable reinforcing fibers and a multiplicity of discrete absorbent fibers disposed within said matrix of meltspun water-degradable reinforcing fibers.

2. The water-dispersible fibrous nonwoven composite structure of claim 1 wherein said absorbent fibers are staple
10 fibers having average fiber lengths of approximately 18 millimeters or less.

3. The water-dispersible fibrous nonwoven composite structure of claim 1 wherein said absorbent fibers are wood
pulp fibers.

15 4. The water-dispersible fibrous nonwoven composite structure of claim 1 which further includes a particulate material within said matrix.

5. The water-dispersible fibrous nonwoven composite structure of claim 4 wherein said particulate material is a
20 superabsorbent.

6. The water-dispersible fibrous nonwoven composite structure of claim 4 wherein said particulate material is an odor reducing agent.

7. The water-dispersible fibrous nonwoven composite structure of claim 1 wherein said meltspun water-degradable
25 reinforcing fibers comprise water-degradable polyamides.

8. The water-dispersible fibrous nonwoven composite structure of claim 1 wherein said meltspun water-degradable reinforcing fibers comprises poly(vinyl alcohol).

30 9. A personal care absorbent article which includes a water-dispersible fibrous nonwoven composite structure according to claim 1.

10. The personal care absorbent article of claim 9 wherein said article is a wiper.

35 11. The personal care absorbent article of claim 9 wherein said article is a diaper.

12. The personal care absorbent article of claim 9 wherein said article is a training pant.

13. The personal care absorbent article of claim 9 wherein said article is a pantiliner.

5 14. The personal care absorbent article of claim 9 wherein said article is a sanitary napkin.

15. The personal care absorbent article of claim 9 wherein said article is a incontinence device.

10 16. The personal care absorbent article of claim 9 wherein said article is a wound dressing.

17. The personal care absorbent article of claim 9 wherein said article is a bandage.

18. A water-dispersible fibrous nonwoven composite structure comprising:

15 a matrix of meltspun water-degradable reinforcing fibers and a plurality of particles disposed within and held by said matrix.

19. The water-dispersible fibrous nonwoven composite structure of claim 18 wherein said particles comprise a
20 superabsorbent.

20. The water-dispersible fibrous nonwoven composite structure of claim 18 wherein said particles comprise an odor-reducing material.

25

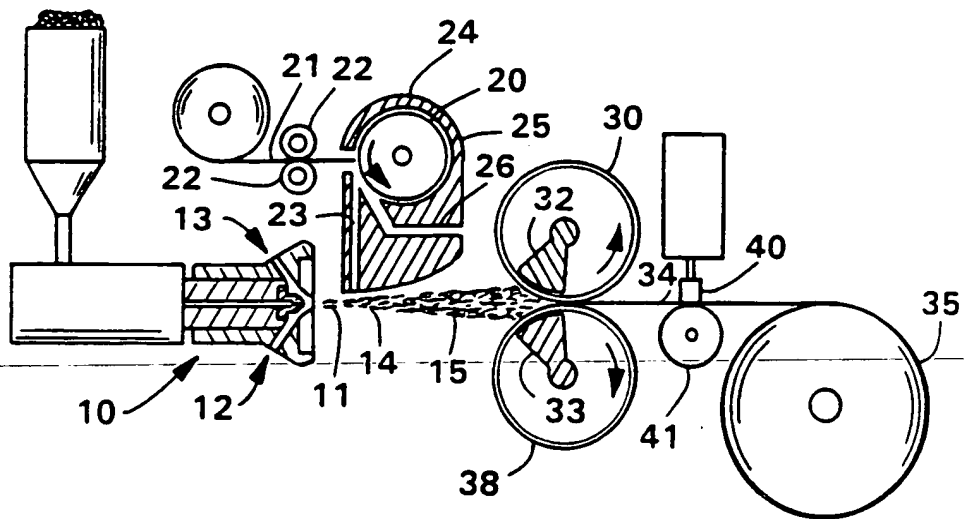


FIG. 1

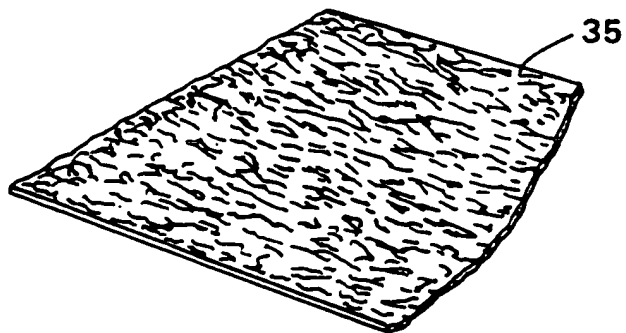


FIG. 2

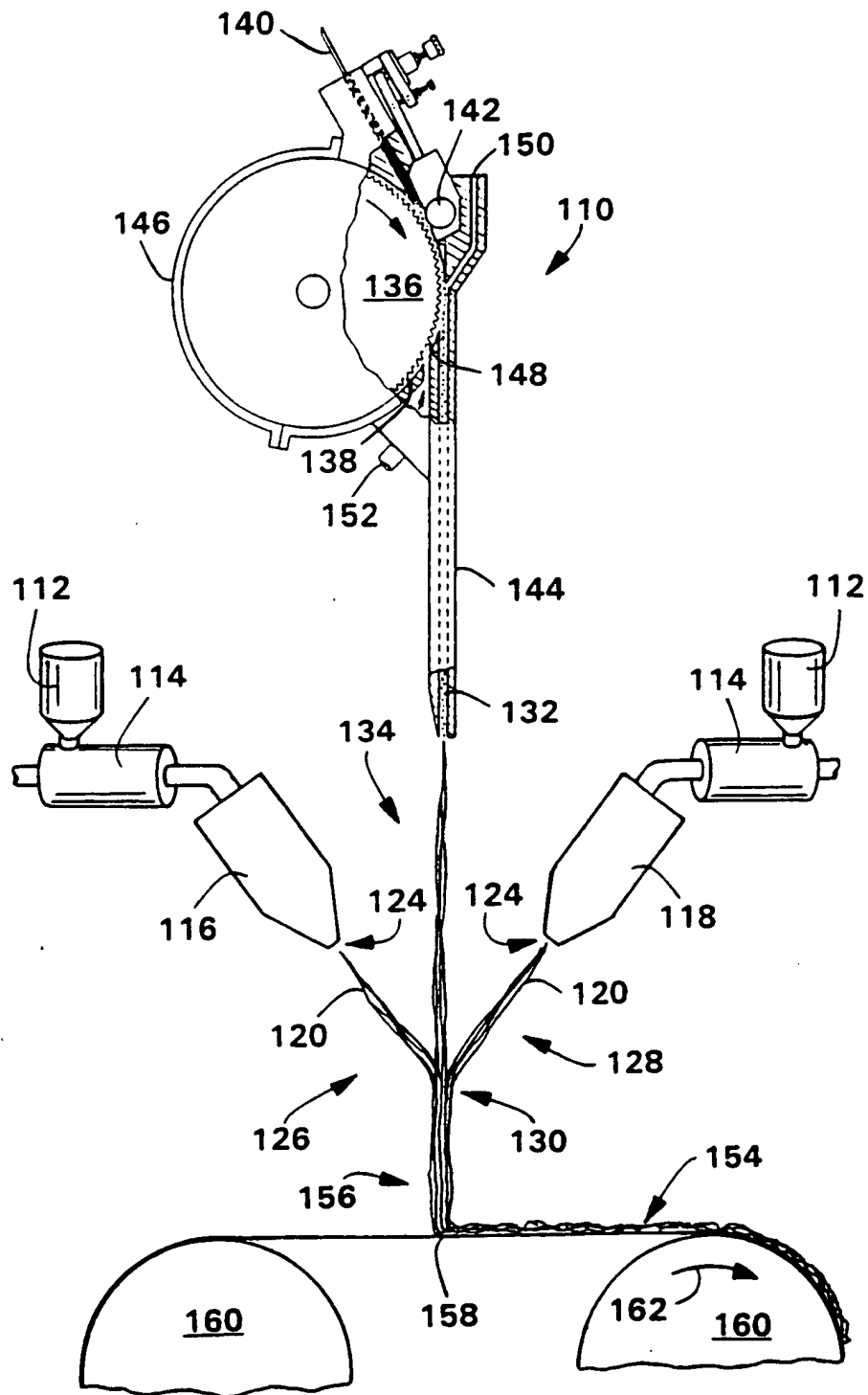


FIG. 3

INTERNATIONAL SEARCH REPORT

International Application No

PCT/US 96/10832

A. CLASSIFICATION OF SUBJECT MATTER
IPC 6 D04H1/42

According to International Patent Classification (IPC) or to both national classification and IPC

B. FIELDS SEARCHED

Minimum documentation searched (classification system followed by classification symbols)

IPC 6 D04H

Documentation searched other than minimum documentation to the extent that such documents are included in the fields searched

Electronic data base consulted during the international search (name of data base and, where practical, search terms used)

C. DOCUMENTS CONSIDERED TO BE RELEVANT

Category	Citation of document, with indication, where appropriate, of the relevant passages	Relevant to claim No.
P,A	US,A,5 466 517 (ESCHWEY HELMUT ET AL) 14 November 1995 * whole document*	1
P,A	US,A,5 508 101 (PATNODE GREGG A ET AL) 16 April 1996 * whole document *	1,8
A	DATABASE WPI Section Ch, Week 7443 Derwent Publications Ltd., London, GB; Class A96, AN 74-74908v XP002018597 & JP,A,49 031 970 (DENKI KAGAKU KOGYO KK.) , 23 March 1974 see abstract	1

Further documents are listed in the continuation of box C.

Patent family members are listed in annex.

* Special categories of cited documents :

- *A* document defining the general state of the art which is not considered to be of particular relevance
- *E* earlier document but published on or after the international filing date
- *L* document which may throw doubts on priority claim(s) or which is cited to establish the publication date of another citation or other special reason (as specified)
- *O* document referring to an oral disclosure, use, exhibition or other means
- *P* document published prior to the international filing date but later than the priority date claimed

- *T* later document published after the international filing date or priority date and not in conflict with the application but cited to understand the principle or theory underlying the invention
- *X* document of particular relevance; the claimed invention cannot be considered novel or cannot be considered to involve an inventive step when the document is taken alone
- *Y* document of particular relevance; the claimed invention cannot be considered to involve an inventive step when the document is combined with one or more other such documents, such combination being obvious to a person skilled in the art.
- *&* document member of the same patent family

Date of the actual completion of the international search

14 November 1996

Date of mailing of the international search report

06.12.96

Name and mailing address of the ISA
European Patent Office, P.B. 5818 Patentaan 2
NL - 2280 HV Rijswijk
Tel. (+ 31-70) 340-2040, Tx. 31 651 epo nl,
Fax: (+ 31-70) 340-3016

Authorized officer

V Beurden-Hopkins, S

INTERNATIONAL SEARCH REPORT

International Application No
PCT/US 96/10832

C.(Continuation) DOCUMENTS CONSIDERED TO BE RELEVANT		
Category	Citation of document, with indication, where appropriate, of the relevant passages	Relevant to claim No.
A	EP,A,0 418 196 (HOLZSTOFF HOLDING) 20 March 1991 see page 3, line 49 - page 4, line 36 ---	1
A	EP,A,0 564 784 (KIMBERLY CLARK CO) 13 October 1993 see page 5, line 48 - page 10, line 9 -----	1,4-6

1

INTERNATIONAL SEARCH REPORT

information on patent family members

International Application No

PCT/US 96/10832

Patent document cited in search report	Publication date	Patent family member(s)	Publication date
US-A-5466517	14-11-95	DE-C- 4119455	17-09-92
		AT-T- 137816	15-05-96
		CA-A- 2071133	14-12-92
		DE-D- 59206211	13-06-96
		EP-A- 0518003	16-12-92
		ES-T- 2088513	16-08-96
		JP-A- 5195407	03-08-93

US-A-5508101	16-04-96	US-A- 5472518	05-12-95
		AU-A- 4240496	24-07-96
		WO-A- 9621057	11-07-96
		US-A- 5567510	22-10-96

EP-A-0418196	20-03-91	FR-A- 2651510	08-03-91
		CA-A- 2024307	05-03-91
		JP-A- 3167308	19-07-91

EP-A-0564784	13-10-93	US-A- 5366793	22-11-94
		AU-A- 3547093	14-10-93
		CA-A- 2073599	08-10-93
		JP-A- 6010259	18-01-94
		ZA-A- 9301141	14-09-93

Form PCT/ISA/210 (patent family sheet) (July 1992)